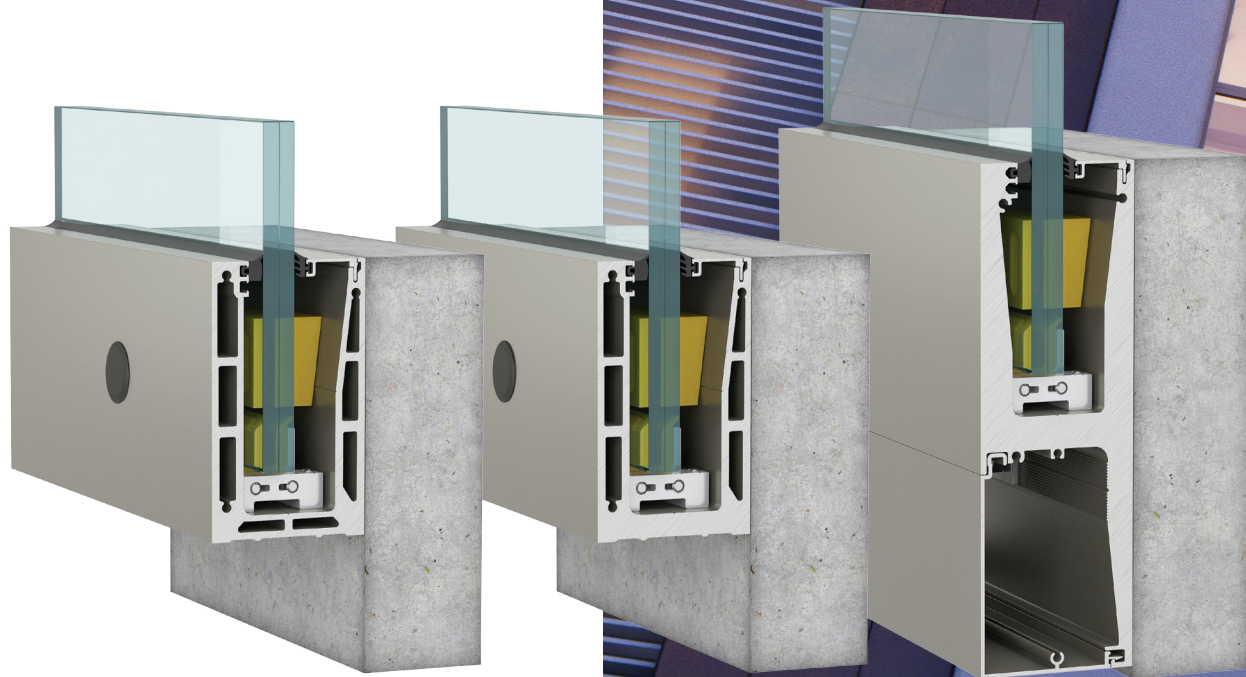


L·line

SIDE MOUNT

Deliver maximum view,
creating “freedom” spaces

Crystalline[®]
railing system



RAILING SYSTEMS

System identity

New Crystal line edition, L line SIDE MOUNT, offers all the advantages of TOP MOUNT while providing more transparency satisfying every architectural and professional desire.

It is designed to cope with line loads more than 3KN/m while the reference point is the unique possibility of perfect aligning the glass panel in each direction (to & fro by up to 15 mm and up-down by up to 10 mm) and from inside the balustrade.

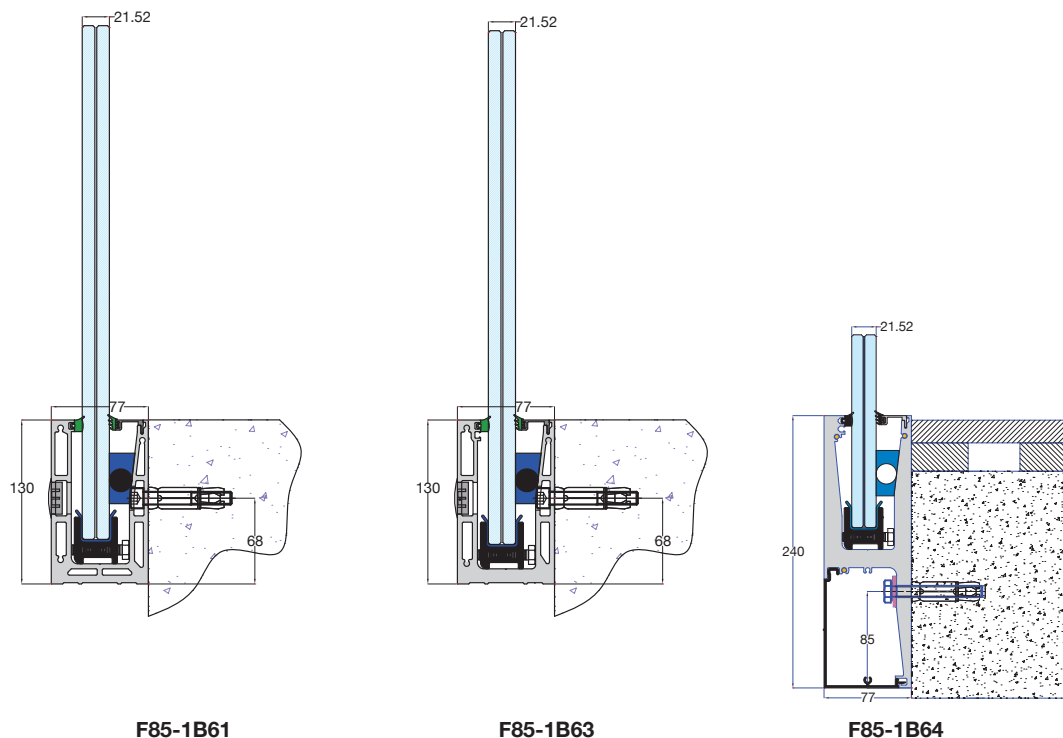
The whole design exudes a sophisticated style that captures attention.

Highlights

- Deliver maximum view, creating “freedom” spaces
- Perfect glass alignment assured
- Performance-oriented, achieving loads up to 807lb
- Fulfil even the most demanding specifications

Features

- Offers a choice of 3 different profile bases solutions
- Resists line loads more than 3 KN/m
- Single base at 3 m without additional external lid
- Easy glass installation.
- Exceptional alignment of the glass panels in every direction (to & from by up to 15 mm and up-down by up to 10 mm) from inside the balustrade.
- Meets worldwide safety and building regulations
- Suitable for use in high demand public areas



PROFILE DIMENSIONS	
Face Height mm	130
Face Width mm	77/240
MATERIAL	
EN AW-6063 -T6	
DESIGNED FOR	
Heavy use (≥ 3 KN/m)	
Indoor & Outdoor	
MOUNTING	
Side mount solution	
DOMAIN OF APPLICATION	
PRIVATE: Houses, Residences, Villas	
COMMERCIAL: Offices, Shops, Retails	
PUBLIC: Shopping Malls, Stadiums, Airports	

INFILL	
Tempered Laminated Glass	
GLASS THICKNESS	
8.8.2PVB – 16.76 mm	
8.8.4PVB – 17.52 mm	
10.10.2PVB – 20.76 mm	
10.10.4PVB – 21.52 mm	
TOP HANDRAIL	
For 17.52 mm glass	
For 21.52 mm glass	
LAB / PERFORMANCES	
Intertek USA / Achieved Concentrated Load of 807lb=3.6 KN	
BBRI BELGIUM / Achieved Distributed Load of 3.6 KN/m	